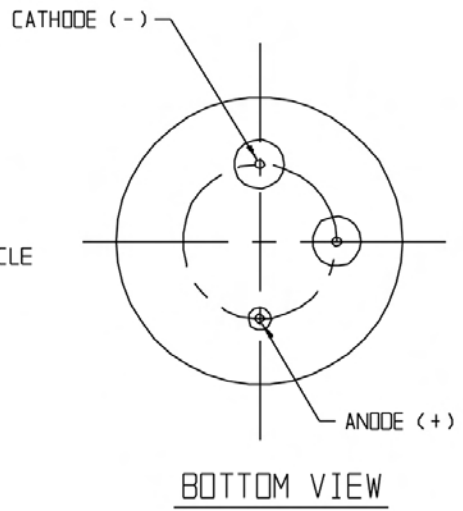
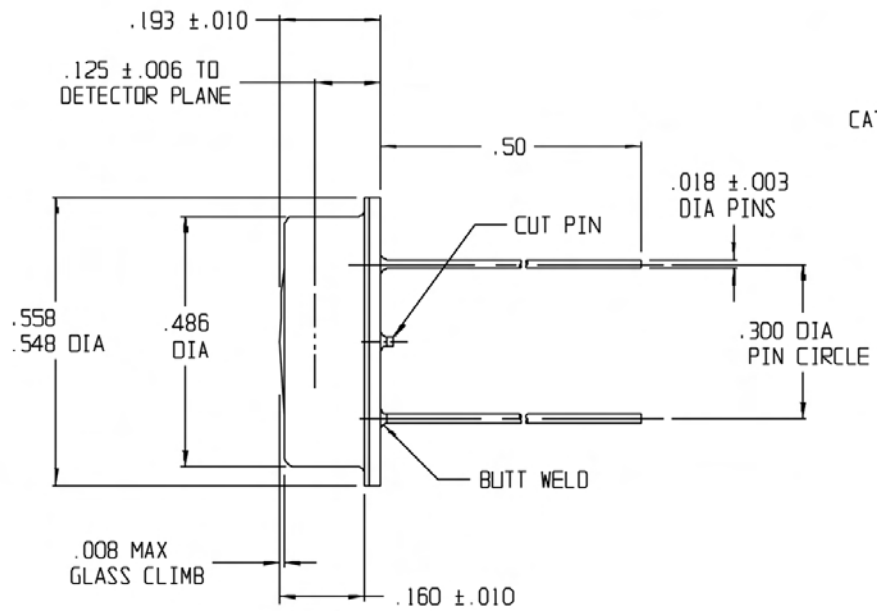
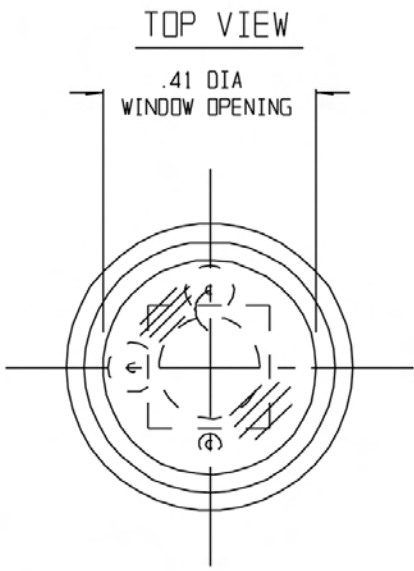


| REVISIONS |                        |          |          |
|-----------|------------------------|----------|----------|
| REV       | DESCRIPTION            | DATE     | APPROVED |
| 0         | INITIAL RELEASE        | 09/21/98 | KWM/HD   |
| 1         | CHANGES PER DCN 401209 | 11/03/98 | FC/HD    |
| 2         | CHANGES PER DCN 402308 | 11/21/00 | WR/DFG   |



- NOTE:
- DETECTOR CENTERED ±.015 TO HEADER.

- SPECIFICATIONS:
 

|                        |            |
|------------------------|------------|
| MATERIAL TYPE:         | J16        |
| ACTIVE AREA SIZE:      | Ge         |
| PACKAGE SPECIFICATION: | 5.0 mm DIA |
|                        | TD-8       |

|   |                    |
|---|--------------------|
| DETECTOR SPECIFICATIONS:                            | ROOM TEMPERATURE   |
| MINIMUM RESPONSE AT 1.3 μm:                         | 0.6 A/W            |
| MINIMUM RESPONSE AT 0.85 μm:                        | 0.2 A/W            |
| MINIMUM DETECTOR SHUNT IMPEDANCE (R <sub>d</sub> ): | 14 Kohms           |
| MAXIMUM REVERSE VOLTAGE (V <sub>r</sub> ):          | 0.25 VOLTS         |
| DARK CURRENT AT MAX V <sub>r</sub> :                | 10 μA              |
| WINDOW MATERIAL:                                    | BOROSILICATE GLASS |

|  |         |                        |
|--|---------|------------------------|
| UNLESS OTHERWISE SPECIFIED:<br>DIMENSIONS ARE IN INCHES:<br>TOLERANCES |         | DATE                   |
| DECIMALS   | ANGULAR | 09/16/98               |
| X ± .02  | ± 1/2°  | DATE                   |
| .XX ± .01  |         | 9/21/98                |
| .XXX ± .005  |         | DATE                   |
|  |         | 9/22/98                |
|  |         | DATE                   |
|  |         | 9/22/98                |
|  |         | DATE                   |
|  |         | 9/22/98                |
|  |         | DATE                   |
|  |         | 9/22/98                |
| NEXT ASSY  | USED ON | THIRD ANGLE PROJECTION |

|  |              |  |          |
|--|--------------|--|----------|
| TELEDYNE JUDSON TECHNOLOGIES<br><small>A Teledyne Technologies Company</small> |              | 221 COMMERCE DRIVE<br>HORTONVILLE, PA. USA 16936 |          |
| TITLE  |              |  |          |
| <b>J16-8SP-R05M-SC</b>   |              |  |          |
| SIZE   | DWG NO.      | REV  |          |
| <b>8</b>   | <b>56586</b> | <b>460008-1 P00</b>                              | <b>2</b> |
| SCALE 4:1  |              | DO NOT SCALE DWG                                 |          |
| SHEET  |              | 1 of 1   |          |