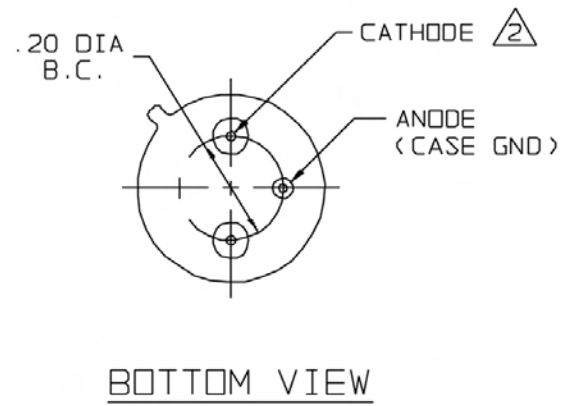
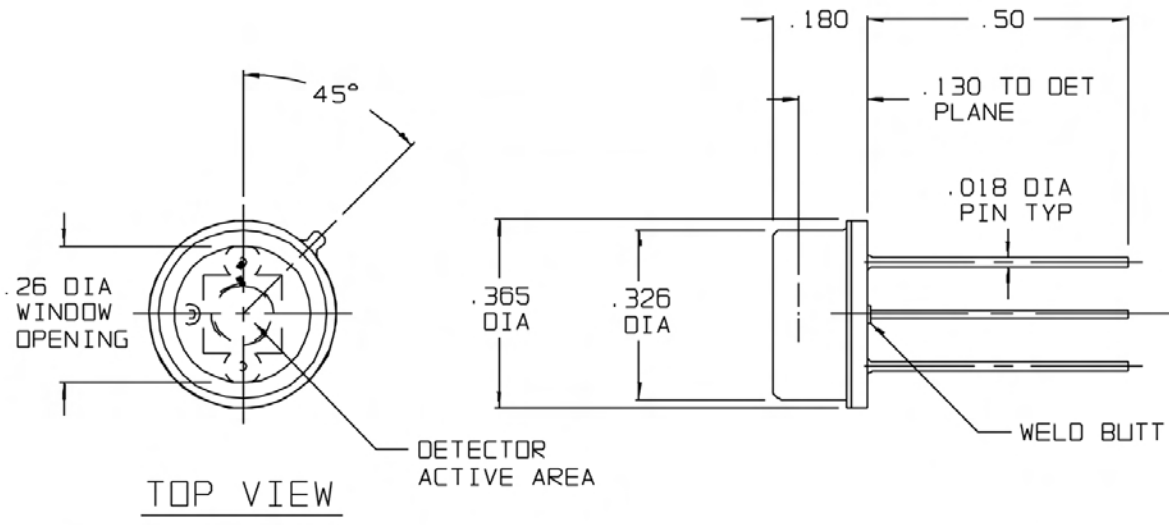


REVISIONS			
REV	DESCRIPTION	DATE	APPROVED
0	INITIAL RELEASE	10/05/98	FC/HD
1	CHANGES PER DCN 402137	06/19/00	WR/DFG



- NOTES:
- DETECTOR CENTERED WITHIN +/- .005 ON HEADER.
 - CATHODE IS ISOLATED FROM HEADER.

3. SPECIFICATIONS:
 MATERIAL TYPE: Ge-SC
 ACTIVE AREA: 2.0 mm DIA
 PACKAGE SPECIFICATION: TO-5

DETECTOR SPECIFICATION:
 DETECTOR SHUNT IMPEDANCE (RD): 80 Kohms
 DARK CURRENT @ MAX VR: 1.0 uA MAX
 MAXIMUM REVERSE VOLTAGE (VR): 0.25 VOLTS
 RESPONSE (A/W) AT 1.3 um: 0.6 A/W
 RESPONSE (A/W) AT 0.85 um: 0.2 A/W
 WINDOW MATERIAL: BOROSILICATE GLASS

UNLESS OTHERWISE SPECIFIED: DIMENSIONS ARE IN INCHES: TOLERANCES		DRN K.F.M.	DATE 09/29/98
DECIMALS	ANGULAR	DESIGN K.F.M.	DATE 10/6/98
X ± .02	± 1/2°	CHECK F. CECCI	DATE 10/7/98
.XX ± .01		PROJECT N/A	DATE -----
.XXX ± .005		ENGR APPROV. ROBERT O'LEARY	DATE 10/7/98
		QA APPROV. HOAN DUONG	DATE 10/13/98
NEXT ASSY	USED ON	THIRD ANGLE PROJECTION	

TELEDYNE JUDSON TECHNOLOGIES <small>A Teledyne Technologies Company</small>		221 COMMERCE DRIVE MONTGOMERYVILLE, PA, USA 18936	
TITLE J16-5SP-R02M-SC			
SIZE 8	DWG NO. 56586	REV 1	
SCALE 4:1		DO NOT SCALE DWG	
SHEET		1 of 1	