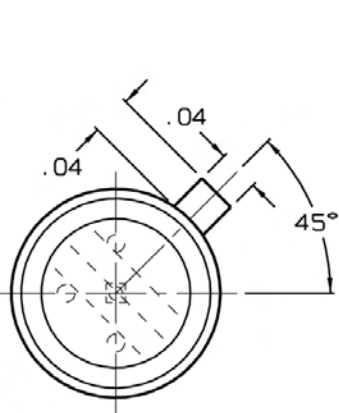
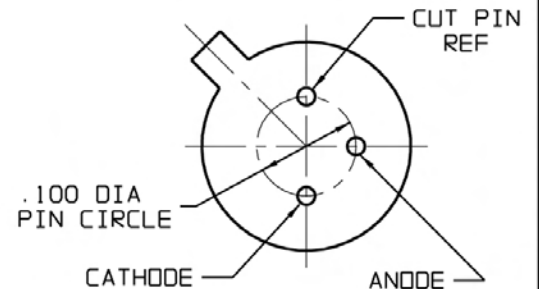
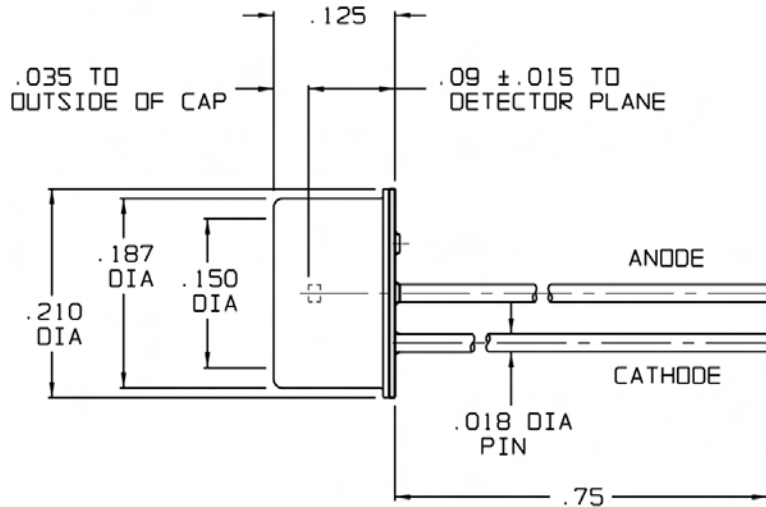


REVISIONS			
REV	DESCRIPTION	DATE	APPROVED
0	INITIAL RELEASE	08/22/01	WR/DFG



TOP VIEW



BOTTOM VIEW

NOTES:

- DETECTOR CENTERED WITHIN  $\pm .005$  ON BASE.
- SPECIFICATION FOR A ROOM TEMPERATURE Ge DETECTOR:  
 MATERIAL TYPE: Ge-SC  
 ACTIVE AREA SIZE: 0.250 mm DIA  
 PACKAGE SPECIFICATION: TO-18  
 DETECTOR SPECIFICATION AT:  
 22 °C  
 MINIMUM RESPONSE AT 1.3  $\mu\text{m}$ : 0.6 A/W  
 MINIMUM RESPONSE AT 0.85  $\mu\text{m}$ : 0.2 A/W  
 MINIMUM DETECTOR SHUNT IMPEDANCE ( $R_d$ ): 1.4 Mohms  
 MAXIMUM REVERSE VOLTAGE ( $V_r$ ): 0.25 VOLTS  
 MAXIMUM DARK CURRENT AT MAX  $V_r$ : 0.05  $\mu\text{A}$   
 WINDOW MATERIAL: BOROSILICATE GLASS

UNLESS OTHERWISE SPECIFIED: DIMENSIONS ARE IN INCHES: <b>TOLERANCES</b>		DRAWN K.F.M. DATE 08/22/01		TELEDYNE JUDSON TECHNOLOGIES A Teledyne Technologies Company		221 COMMERCE DRIVE MONTGOMERYVILLE, PA 18936	
DECIMALS	ANGULAR	DESIGN	K.F. MARSHALL	DATE	8/22/01	TITLE <b>J16-18A-R250U-SC</b>	
.X ± .02	± 1/2°	CHECK	FRANK CECI	DATE	8/22/2001	SIZE	B
.XX ± .01		PROJECT	N/A	DATE	-----	DWG NO.	460004-2P00
.XXX ± .005		FIG APPROV	WILLIAM ROLLS	DATE	8/22/01	REV	0
		QA APPROV	D.F. GREENE	DATE	8/23/01	SCALE	8:1
NEXT ASSY	USED ON	THIRD ANGLE PROJECTION				DO NOT SCALE DWG	SHEET 1 of 1