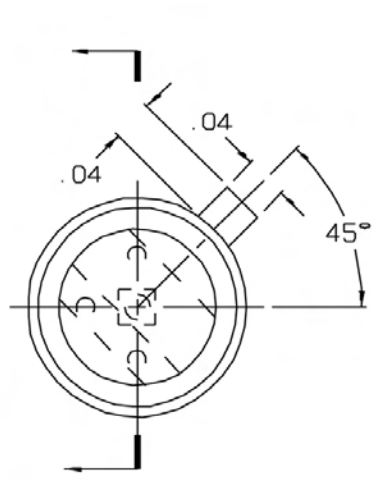
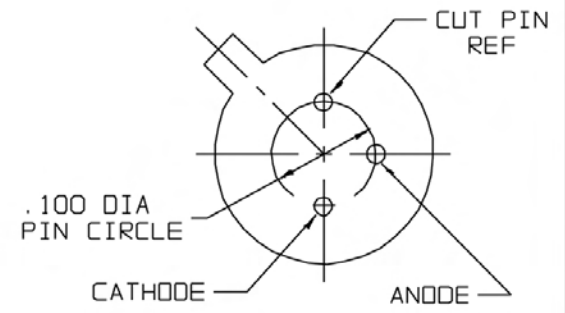
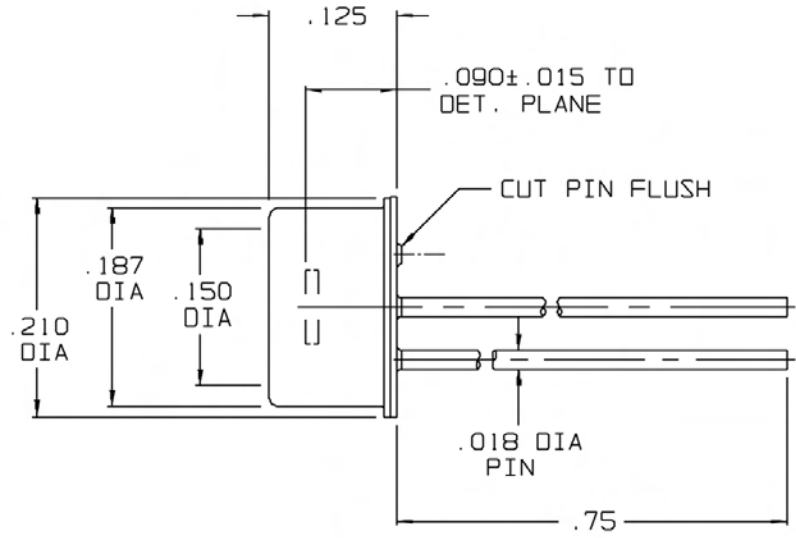


REVISIONS			
REV	DESCRIPTION	DATE	APPROVED
0	INITIAL RELEASE	04/20/00	WR/DFG



TOP VIEW



BOTTOM VIEW

NOTES:

1. DETECTOR CENTERED WITHIN $\pm .005$ ON BASE.
2. SPECIFICATION FOR A ROOM TEMPERATURE Ge DETECTOR:
 MATERIAL TYPE: Ge-HS
 ACTIVE AREA SIZE: 0.50 mm DIA
 PACKAGE SPECIFICATION: TD-18
 DETECTOR SPECIFICATION AT: 22 °C
 MINIMUM RESPONSE AT 1.3 μm : 0.6 A/W
 MINIMUM RESPONSE AT 0.85 μm : 0.2 A/W
 MINIMUM DETECTOR SHUNT IMPEDANCE (R_d): 200 Kohms
 MAXIMUM REVERSE VOLTAGE (V_r): -10.0 VOLTS
 MAXIMUM DARK CURRENT AT MAX V_r : 5.0 μA
 WINDOW MATERIAL: BOROSILICATE GLASS

UNLESS OTHERWISE SPECIFIED: DIMENSIONS ARE IN INCHES: TOLERANCES		DESIGN K.F.M.	DATE 04/20/00
DECIMALS x ± .02 .xx ± .01 .xxx ± .005	ANGULAR ± 1/2°	CHECK K.F. MARSHALL	DATE 4/20/00
		PROJECT FRANK CECI	DATE 4/20/00
		DRG APPR. N/A	DATE -----
		DATE APPR. WILLIAM ROLLS	DATE 4/20/00
		DATE APPR. D.F. GREENE	DATE 4/24/00
NEXT ASSY	USED ON	THIRD ANGLE PROJECTION	

221 CONMERCE DRIVE MONTGOMERYVILLE, PA. USA 18936	
TITLE J16-18A-R500U-HS	
SIZE 8 56586	DWG NO. 460003-3P00
SCALE 8:1	REV 0
DO NOT SCALE DWG	
SHEET 1 of 1	