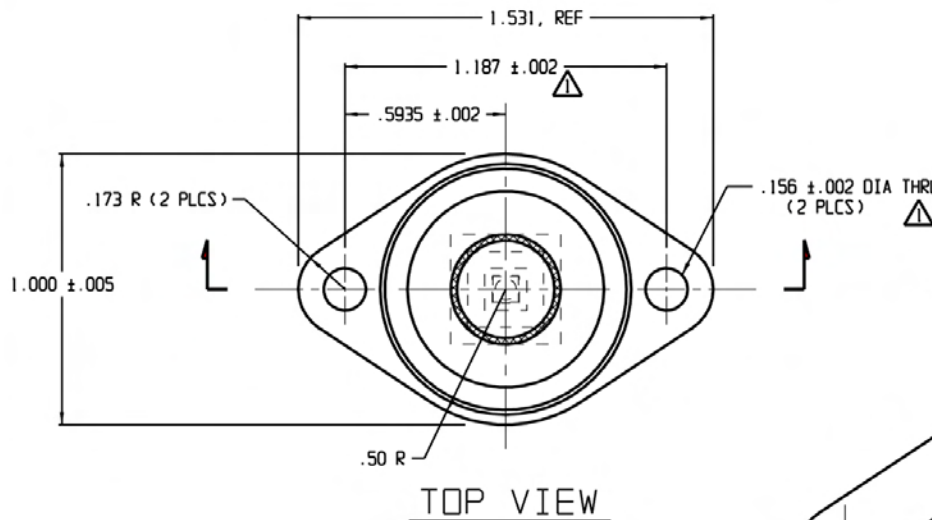
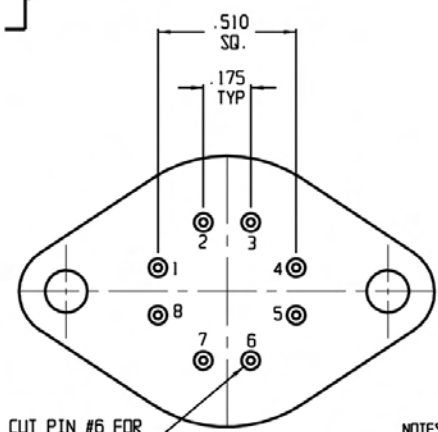


REVISIONS			
REV	DESCRIPTION	DATE	APPROVED
0	INITIAL RELEASE	02/12/02	WR/DFG

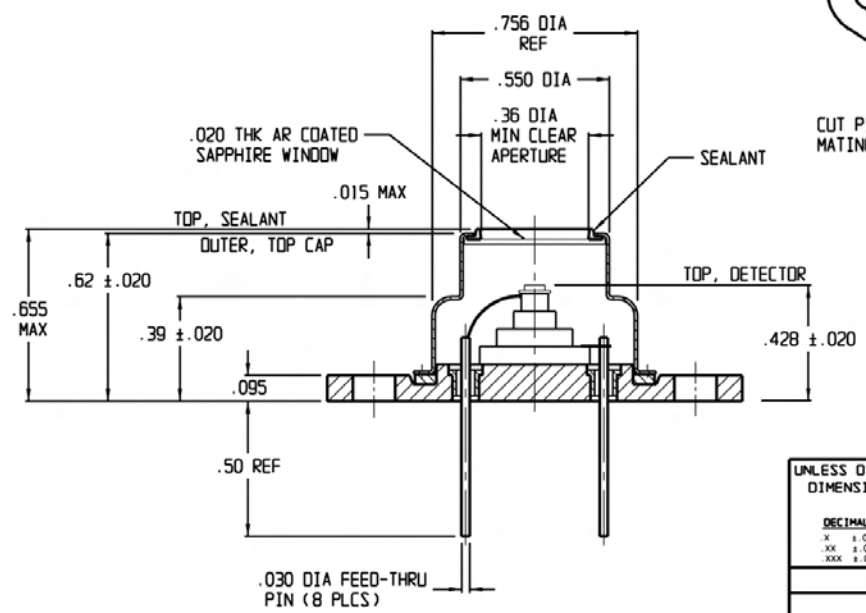


TOP VIEW



BOTTOM VIEW

PIN NO.	DESIGNATION	SLEEVE COLOR
1	THERMISTOR	YELLOW
2	DETECTOR (-)	WHITE
3	DETECTOR (+)	GREEN
4	COOLER (-)	BLACK
5	COOLER (+)	RED
6	N/C	CUT
7	N/C	CLEAR
8	THERMISTOR	YELLOW



SECTIONAL SIDE VIEW

NOTES:

- 1. DETECTOR CENTERED WITHIN ±.005 WITH RESPECT TO .156 MOUNTING HOLES.
- 2. FINISH: ALL EXPOSED METAL SURFACES - GOLD PLATED.
- 3. SPECIFICATIONS:

MATERIAL TYPE:	HgCdTe
ACTIVE AREA SIZE:	1.0 mm x 1.0 mm
DETECTOR TESTED AT:	-80 °C
MINIMUM D* (PEAK, 1KHz, 1Hz):	2.5E10 cmHz ^{1/2} /W-1
MINIMUM D* (PEAK, 10KHz, 1Hz):	5.0E10 cmHz ^{1/2} /W-1
MINIMUM RESPONSIVITY (PEAK, 900Hz):	1,000 V/W
MINIMUM WAVELENGTH CUTOFF:	20% AT 5.0 um
MAXIMUM BIAS VOLTAGE:	7.0 VDC
WINDOW MATERIAL:	SAPPHIRE AR COATED 1-6 um
PACKAGE DESCRIPTION:	TO-3

UNLESS OTHERWISE SPECIFIED: DIMENSIONS ARE IN INCHES		DRAWN	K.F.M.	DATE	02/12/02
TOLERANCES		DESIGN	K.F.MARSHALL	DATE	2/12/02
DECIMALS	ANGULAR	CHECK	FRANK CECI	DATE	2/13/2002
X ±.02	± 1/2°	PROJECT	N/A	DATE	-----
XX ±.01		MFG APPROVAL	WILLIAM ROLLS	DATE	2/13/02
XXX ±.005		QA APPROVAL	D.F.GREENE	DATE	02MAR02
		THIRD ANGLE PROJECTION			
NEXT ASSY	USED ON				

TELEDYNE JUDSON TECHNOLOGIES
A Teledyne Technologies Company

221 COMMERCE DRIVE
MONTGOMERYVILLE, PA 17096

TITLE
J15TE4:5-3CN-R01M

SIZE: **C** DWG NO: **56586 450838P00** REV: **0**

SCALE: 3:1 DO NOT SCALE DWG SHEET 1 of 1