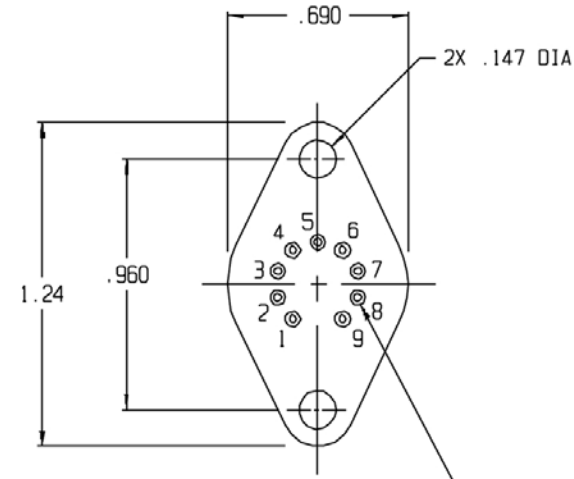
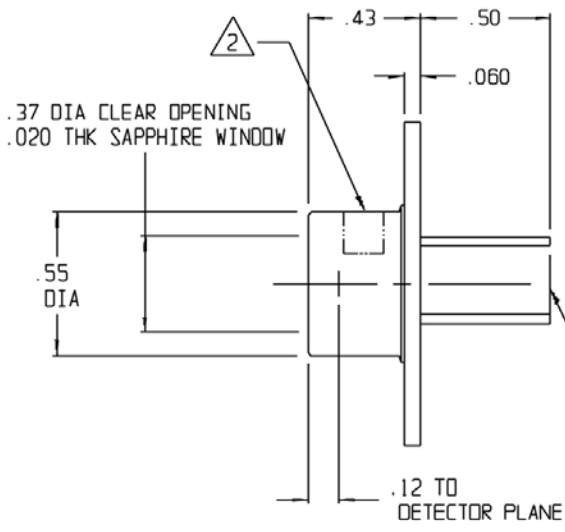


REVISIONS			
REV	DESCRIPTION	DATE	APPROVED
0	INITIAL RELEASE	12/09/99	WR/DFG



PIN CHART

PIN	FUNCTION	COLOR CODE
1	COOLER (+)	RED
2	CASE GND	CLEAR
3	N/C	CLEAR
4	N/C	CLEAR
5	THERMISTOR	YELLOW
6		
7	DETECTOR	GREEN
8	DETECTOR	WHITE
9	COOLER (-)	BLACK

- NOTES:
- PIN NUMBERS FOR REF ONLY.
  - PRODUCT MARKING.
  - MATES WITH P/N 300359 SOCKET, TO-66, 9-PIN.
  - DETECTOR SPECIFICATIONS:  
 MATERIAL TYPE: HgCdTe  
 ACTIVE AREA SIZE: 0.250 mm x 0.250 mm  
 DETECTOR SPECIFICATIONS AT: -40 °C  
 MINIMUM D\* (500K, 10KHz, 1Hz): 1.8E09 cmHz<sup>1/2</sup> W<sup>-1</sup>  
 MINIMUM WAVELENGTH CUTOFF: 50% AT 4.5 um  
 MAXIMUM BIAS VOLTAGE: 1.75 VDC  
 THERMISTOR RESISTANCE: 15-25 Kohms  
 WINDOW MATERIAL: SAPPHIRE AR COATED 1-6 um  
 PACKAGE DESCRIPTION: TO-66

BOTTOM VIEW  
 9X .030 DIA PINS ON  
 .425 DIA B.C.  
 SPACED 36° APART

UNLESS OTHERWISE SPECIFIED: DIMENSIONS ARE IN INCHES: TOLERANCES		DRAWN: K.F.M. DATE: 12/07/99 DESIGN: K.F.MARSHALL DATE: 12/9/99 CHECK: S.STRATTEN DATE: 12/18/99 PROJECT: N/A DATE: ----- MFG APPROVAL: WILLIAM ROLLS DATE: 12/16/99 QA APPROVAL: D.F.GREENE DATE: 12/16/00	TELEDYNE JUDSON TECHNOLOGIES A Teledyne Technologies Company 221 CONMERCE DRIVE HUNT GEMERYVILLE, PA. USA 15936
DECIMALS X ± .02 .XX ± .01 .XXX ± .005	ANGULAR ± 1/2°	TITLE: <b>J1STE2:4.5-66C-S250U</b>	
NEXT ASSY	USED ON	SCALE: 2:1 DO NOT SCALE DWG	SIZE: <b>8 56586</b> DWG NO.: <b>450825POD</b> REV: <b>0</b>
THIRD ANGLE PROJECTION		SHEET 1 of 1	