

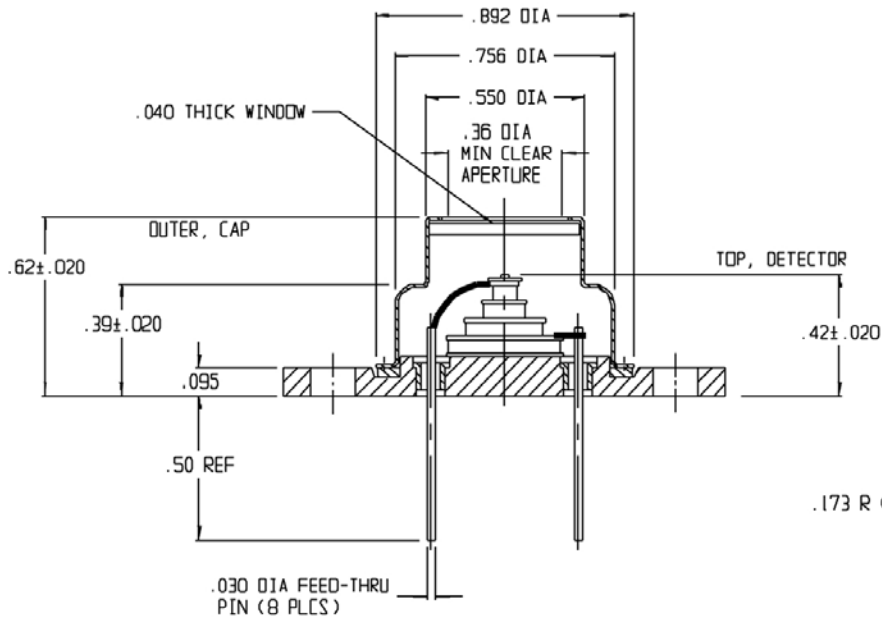
4

3

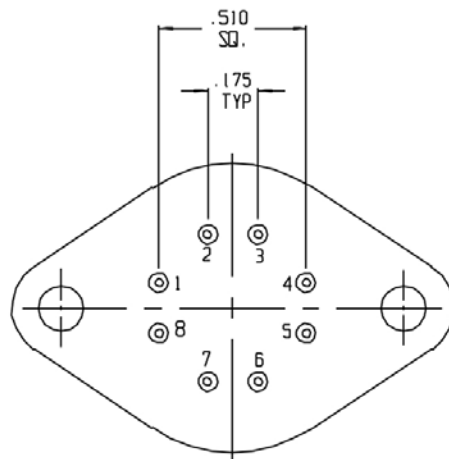
2

1

REVISIONS			
REV	DESCRIPTION	DATE	APPROVED
0	INITIAL RELEASE	02/05/96	KWM
1	CHANGES PER DCN 400781	03/07/97	KWM/JAH
2	CHANGES PER DCN 401857	11/11/99	WR/DFG



SECTIONAL SIDE VIEW



BOTTOM VIEW

(SEE TABLE 1 FOR PIN SLEEVE COLOR)

TOP VIEW

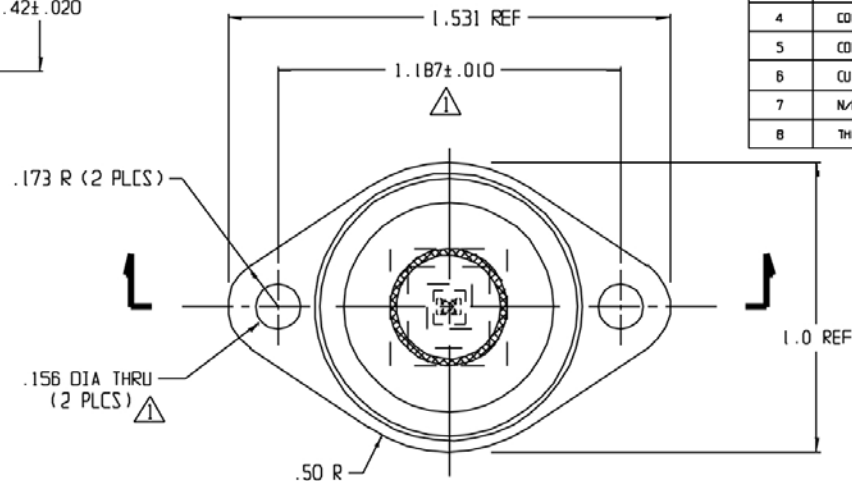


TABLE 1

PIN NO	DESIGNATION	SLEEVE COLOR
1	THERMISTOR	YELLOW
2	DETECTOR	WHITE
3	DETECTOR	GREEN
4	COOLER (-)	BLACK
5	COOLER (+)	RED
6	CUT	-----
7	N/C	CLEAR
8	THERMISTOR	YELLOW

NOTES:

1. DETECTOR CENTERED WITHIN $\pm .010$ WITH RESPECT TO $\phi .156$ MOUNTING HOLES.

2. FINISH:
ALL EXPOSED METAL SURFACES - GOLD PLATED.

3. MATERIAL TYPE: HgCdTe
ACTIVE AREA SIZE: 0.10 mm x 0.10 mm
DETECTOR TESTED AT: -80 °C
MINIMUM D* (500K, 10KHz, 1Hz): 6.0E09 cmHz^{1/2}W⁻¹
MINIMUM WAVELENGTH CUTOFF: 20% AT 5.0 um

3. (CONTINUED):
MAXIMUM BIAS VOLTAGE:
WINDOW MATERIAL:
PACKAGE DESCRIPTION:

0.7 VDC
SAP AR COATED 1-6 um
TO-3

UNLESS OTHERWISE SPECIFIED DIMENSIONS ARE IN INCHES TOLERANCES	DECIMALS	ANGULAR	DATE	2/5/90	
	X ± .02	± 1/2°	DESIGN	KWM/KFM	
	.XX ± .01		CHECK	N/A	
	XXX ± .005		PROJECT	KWM/ODRIS R. SITES	
		PROJECT	N/A	DATE	2-6-98
		MFG APPROVAL	ROBERT O'LEARY	DATE	2-6-98
		QA APPROVAL	J. A. HALL	DATE	2-6-98
		THIRD ANGLE PROJECTION			
NEXT ASSY	USED ON	TO3-TE4			

TELEDYNE JUDSON TECHNOLOGIES <small>A Teledyne Technologies Company</small>		221 COMMERCE DRIVE MONTGOMERTVILLE, PA, USA 18938	
TITLE J15TE4: 5-3CN-S100U			
SIZE	DWG NO.	REV	
C	56586 450645POD	2	
SCALE	DO NOT SCALE DWG		SHEET 1 of 1
3:1			