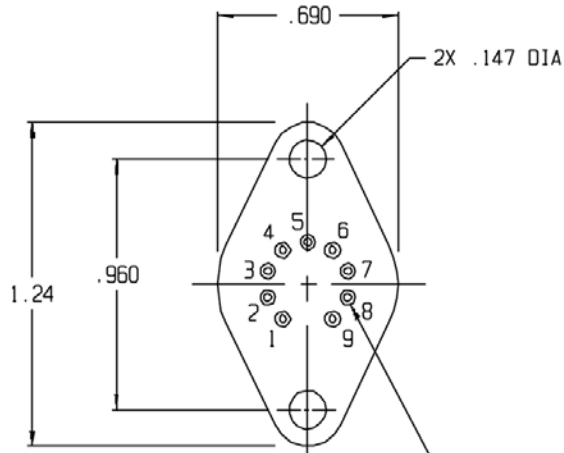
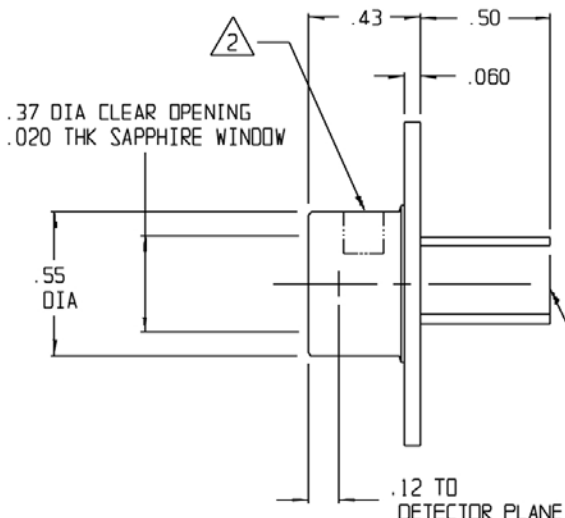


REVISIONS			
REV	DESCRIPTION	DATE	APPROVED
0	INITIAL RELEASE	10/22/98	FC/HD
1	CHANGES PER DCN 401538	04/29/99	FC/HD



PIN CHART

PIN	FUNCTION	COLOR CODE
1	COOLER (+)	RED
2	N/C	CLEAR
3	N/C	CLEAR
4	N/C	CLEAR
5	THERMISTOR	YELLOW
6		
7	DETECTOR	GREEN
8	DETECTOR	WHITE
9	COOLER (-)	BLACK

NOTES:

- PIN NUMBERS FOR REF ONLY.
- PRODUCT MARKING.
- MATES WITH P/N 300359 SOCKET, TO-66, 9-PIN.

4. DETECTOR SPECIFICATIONS:
 MATERIAL TYPE: HgCdTe
 ACTIVE AREA SIZE: 1.0 mm x 1.0 mm

DETECTOR SPECIFICATIONS AT: -40 °C
 MINIMUM D* (PEAK, 10KHz, 1Hz): 2.5E10 cmHz^{1/2} W-1
 MINIMUM RESPONSIVITY (PEAK, 900Hz): 2,000 V/W TYPICAL
 MINIMUM WAVELENGTH CUTOFF: 50% AT 4.5 +/-0.25 um
 WINDOW MATERIAL: SAPPHIRE AR COATED 1-6 um
 PACKAGE DESCRIPTION: TO-66

BOTTOM VIEW

9X .030 DIA PINS ON
 .425 DIA B.C.
 SPACED 36° APART

PINS OMITTED FOR CLARITY

UNLESS OTHERWISE SPECIFIED: DIMENSIONS ARE IN INCHES: TOLERANCES		<table border="1"> <tr><td>DESIGN</td><td>K.F.M.</td><td>DATE</td><td>09/24/98</td></tr> <tr><td>DATE</td><td></td><td>DATE</td><td>10/26/98</td></tr> <tr><td>CHECK</td><td>FRANK CECI</td><td>DATE</td><td>10/28/98</td></tr> <tr><td>PROJECT</td><td>N/A</td><td>DATE</td><td>-----</td></tr> <tr><td>ENG. APPROV.</td><td>ROBERT O'LEARY</td><td>DATE</td><td>10/28/98</td></tr> <tr><td>QA APPROV.</td><td></td><td>DATE</td><td></td></tr> <tr><td></td><td>HOAN DUONG</td><td>DATE</td><td>10/26/98</td></tr> </table>	DESIGN	K.F.M.	DATE	09/24/98	DATE		DATE	10/26/98	CHECK	FRANK CECI	DATE	10/28/98	PROJECT	N/A	DATE	-----	ENG. APPROV.	ROBERT O'LEARY	DATE	10/28/98	QA APPROV.		DATE			HOAN DUONG	DATE	10/26/98	<p style="text-align: center;">TELEDYNE JUDSON TECHNOLOGIES <small>A TRIMARK TECHNOLOGIES COMPANY</small></p> <p style="text-align: right;">221 COMMERCE DRIVE HUNTSMERYILLE, PA, USA 16936</p>	
DESIGN	K.F.M.	DATE	09/24/98																													
DATE		DATE	10/26/98																													
CHECK	FRANK CECI	DATE	10/28/98																													
PROJECT	N/A	DATE	-----																													
ENG. APPROV.	ROBERT O'LEARY	DATE	10/28/98																													
QA APPROV.		DATE																														
	HOAN DUONG	DATE	10/26/98																													
<table border="1"> <tr> <th>DECIMALS</th> <th>ANGULAR</th> </tr> <tr> <td>x ± .02</td> <td>± 1/2°</td> </tr> <tr> <td>.xx ± .01</td> <td></td> </tr> <tr> <td>.xxx ± .005</td> <td></td> </tr> </table>		DECIMALS	ANGULAR	x ± .02	± 1/2°	.xx ± .01		.xxx ± .005		<p>TITLE J1STE2:4.5-66C-S01M</p>																						
DECIMALS	ANGULAR																															
x ± .02	± 1/2°																															
.xx ± .01																																
.xxx ± .005																																
<table border="1"> <tr> <td>NEXT ASSY</td> <td>USED ON</td> <td>THIRD ANGLE PROJECTION</td> <td>SCALE 2:1</td> <td>DO NOT SCALE DWG</td> <td>SHEET 1 of 1</td> </tr> </table>		NEXT ASSY	USED ON	THIRD ANGLE PROJECTION	SCALE 2:1	DO NOT SCALE DWG	SHEET 1 of 1	<p>SIZE 8 56586</p>		<p>DWG NO. 450082POD</p>																						
NEXT ASSY	USED ON	THIRD ANGLE PROJECTION	SCALE 2:1	DO NOT SCALE DWG	SHEET 1 of 1																											