

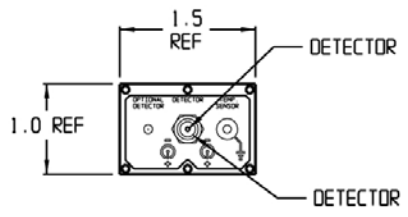
4

3

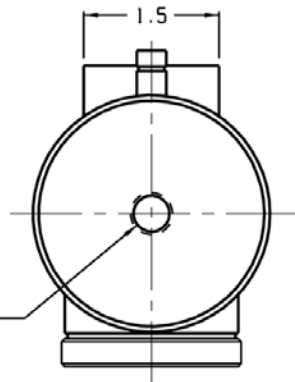
2

1

REVISIONS			
REV	DESCRIPTION	DATE	APPROVED
0	INITIAL RELEASE	06/20/02	WR/DFG

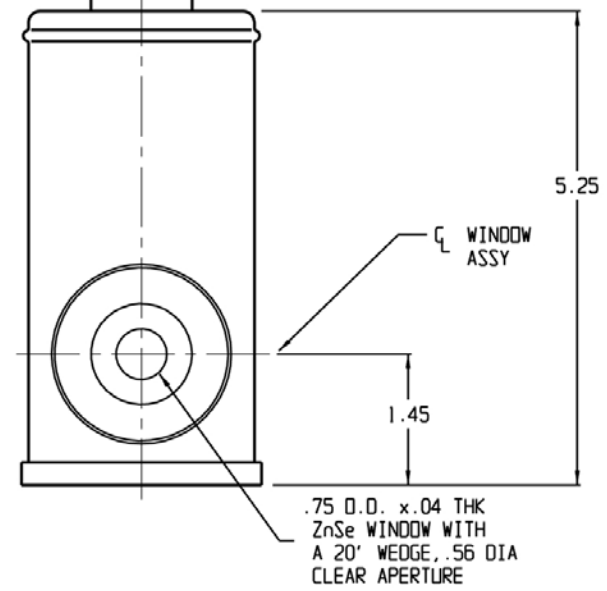
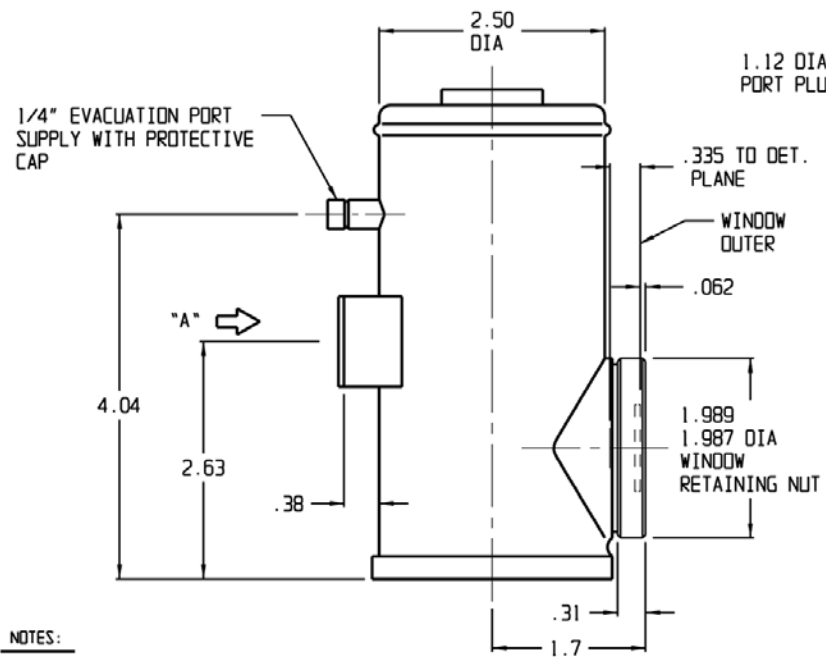


VIEW "A"



1/8" NPT FILL PORT SHOWN WITH FILL PORT PLUG REMOVED

1.12 DIA FILL PORT PLUG



**NOTES:**

1. SPECIFICATION FOR PHOTOCONDUCTOR HgCdTe DETECTOR  
 MATERIAL TYPE: HgCdTe  
 ACTIVE AREA SIZE: 2.0 mm x 2.0 mm

DETECTOR SPECIFICATIONS:  
 77 Kelvin  
 2.0E10 cnHz/2 W-1  
 MINIMUM D\* (PEAK, 10KHz, 1Hz): 500 V/W  
 MINIMUM RESPONSIVITY (PEAK, 900Hz): 20% at 14.0 um  
 MINIMUM WAVELENGTH CUTOFF: 14.0 Volts  
 MAXIMUM BIAS VOLTAGE: 60 degrees  
 FIELD OF VIEW: ZnSe Wedged/20'  
 WINDOW MATERIAL TYPE: 8 Hours  
 MINIMUM HOLD TIME: 120 nl/min  
 MAXIMUM FLOW RATE: 8.5 +/- 0.5 nm  
 DETECTOR TO WINDOW DISTANCE:

UNLESS OTHERWISE SPECIFIED: DIMENSIONS ARE IN INCHES TOLERANCES		DRAWN K.F.M.	DATE 06/20/02
DECIMALS	ANGULAR	DESIGN K.F. MARSHALL	DATE 6/20/02
.XX ± .02	± 1/2°	CHECK FRANK CECI	DATE 6/20/2002
.XX ± .01		PROJECT N/A	DATE -----
.XXX ± .005		MFG APPROV WILLIAM ROLLS	DATE 6/20/02
		QA APPROV D.F. GREENE	DATE 6/20/02
		THIRD ANGLE PROJECTION	

TELEDYNE JUDSON TECHNOLOGIES A Teledyne Technologies Company		221 COMMERCE DRIVE MONTGOMERYVILLE, PA 19936	
TITLE <b>J15014-M204-S02M-60</b>			
SIZE C	DWG NO. 56586	REV 0	
SCALE 1:1	DO NOT SCALE DWG		SHEET 1 of 1

4

3

2

1