

4

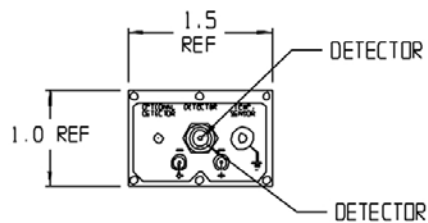
3

2

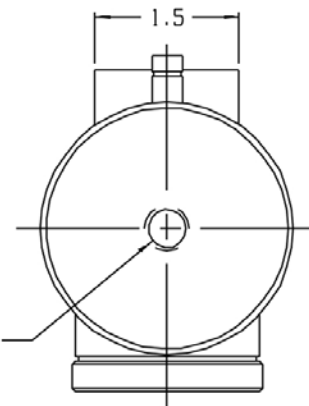
1

REVISIONS

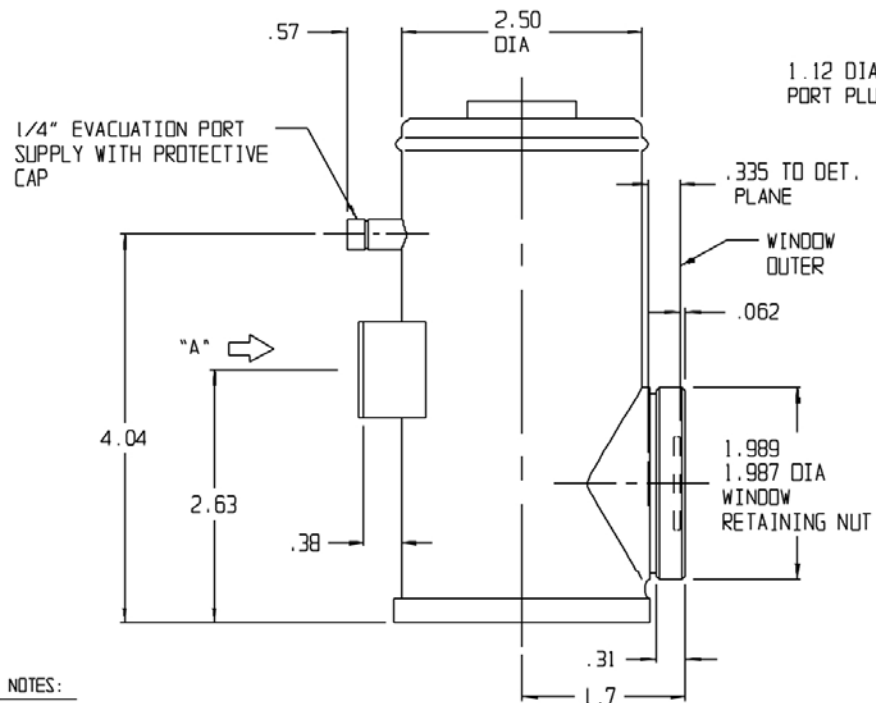
REV	DESCRIPTION	DATE	APPROVED
0	INITIAL RELEASE	12/06/01	DD/DFG



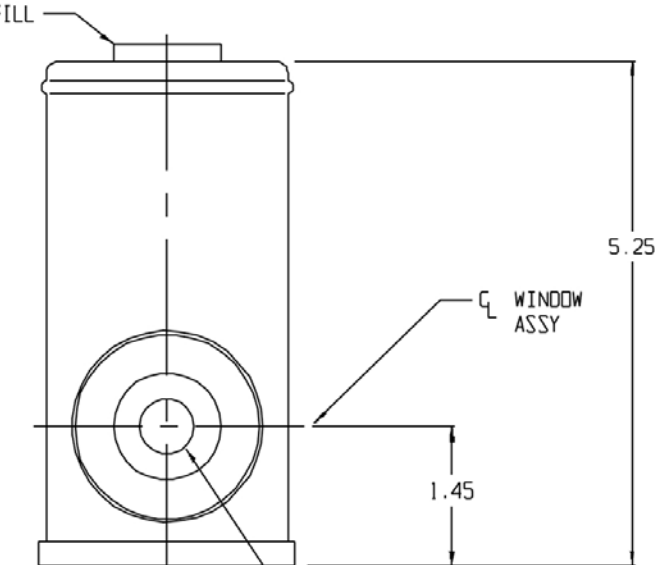
VIEW "A"



1/8" NPT FILL PORT
SHOWN WITH FILL
PORT PLUG REMOVED



1.12 DIA FILL
PORT PLUG



.75 D.D. x .04 THK
ZnSe WINDOW WITH
A 20° WEDGE,
.56 DIA OPENING

NOTES:

1. SPECIFICATION FOR PHOTOVOLTAIC InSb DETECTOR
MATERIAL TYPE: HgCdTe
ACTIVE AREA SIZE: 4.0 mm x 4.0 mm

DETECTOR SPECIFICATIONS: 77 Kelvin
MINIMUM D^* (PEAK, 1KHz, 1Hz): 1.0E10 cmHz^{1/2} W-1
MINIMUM RESPONSIVITY (PEAK, 900Hz): 10D V/W
MINIMUM WAVELENGTH CUTOFF: 20% at 12.0 um
MAXIMUM BIAS VOLTAGE: 28 V
FIELD OF VIEW: 60°
WINDOW MATERIAL TYPE: ZnSe Wedged/20°
MINIMUM HOLD TIME: 8 Hours
MAXIMUM FLOW RATE: 120 ml/min
DETECTOR TO WINDOW DISTANCE: 8.5 +/- 0.5 mm

UNLESS OTHERWISE SPECIFIED:
DIMENSIONS ARE IN INCHES
TOLERANCES

DECIMALS	ANGULAR
.X ± .02	± 1/2°
.XX ± .01	
.XXX ± .005	

DESIGN	K.F.M.	DATE	11/27/01
DESIGN	K.F. MARSHALL	DATE	12/6/01
CHECK	DDN D.	DATE	12/10/01
PROJECT	DDN DOLAN	DATE	12/10/01
RFQ APPROV	N/A	DATE	-----
QA APPROV	D.F. GREENE	DATE	11/06/01

TELEDYNE JUDSON TECHNOLOGIES
A Teledyne Technologies Company

201 COMMERCE DRIVE
PONTIAC, PA 15096

TITLE

J15012-M204-S04M-60

SIZE

C 56586 450022-1POD 0

DWG NO

REV

0

THIRD ANGLE
PROJECTION

NEXT ASSY USED ON

SCALE 1:1 DO NOT SCALE DWG 1 of 1