

4

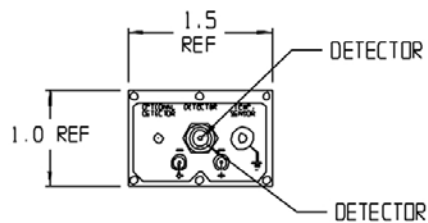
3

2

1

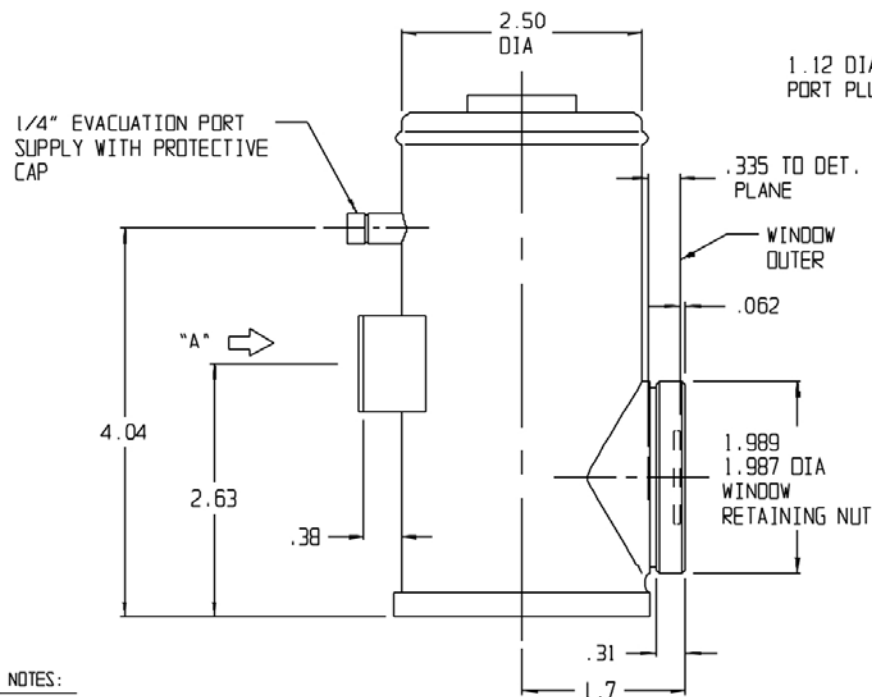
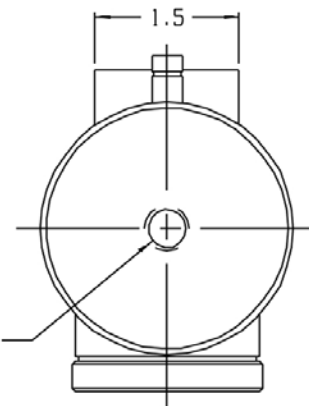
REVISIONS

REV	DESCRIPTION	DATE	APPROVED
0	INITIAL RELEASE	12/03/01	WR/DFG

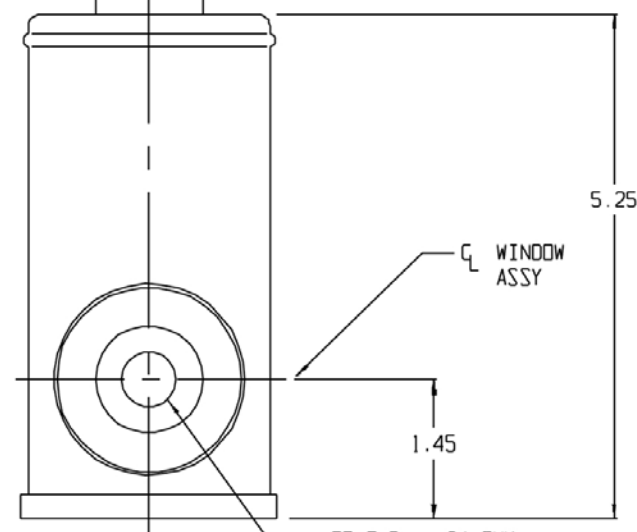


VIEW "A"

1/8" NPT FILL PORT
SHOWN WITH FILL
PORT PLUG REMOVED



1.12 DIA FILL
PORT PLUG



NOTES:

1. SPECIFICATION FOR PHOTOCONDUCTOR HgCdTe DETECTOR
MATERIAL TYPE: HgCdTe
ACTIVE AREA SIZE: 1.0 mm x 1.0 mm

DETECTOR SPECIFICATIONS:
MINIMUM D^* (PEAK, 10KHz, 1Hz): 3.0E10 cmHz^{1/2} W-1
MINIMUM RESPONSIVITY (PEAK, 900Hz): 1,500 V/W
MINIMUM WAVELENGTH CUTOFF: 20% at 12.0 um
MAXIMUM BIAS VOLTAGE: 7.0 Volts
FIELD OF VIEW: 60°
WINDOW MATERIAL TYPE: ZnSe Wedged/20'
MINIMUM HOLD TIME: 8 Hours
MAXIMUM FLOW RATE: 120 ml/min
DETECTOR TO WINDOW DISTANCE: 8.5 +/- 0.5 mm

UNLESS OTHERWISE SPECIFIED:
DIMENSIONS ARE IN INCHES
TOLERANCES

DECIMALS	ANGULAR
.XX ± .02	± 1/2°
.XXX ± .005	

DESIGN	K.F.M.	DATE	12/03/01
DESIGN	K.F. MARSHALL	DATE	12/3/01
CHECK	FRANK CECI	DATE	12/3/2001
PROJECT	DOON DOLAN	DATE	12/10/01
RFQ APPROV	N/A	DATE	-----
QA APPROV	D.F. GREENE	DATE	11/06/01

TELEDYNE JUDSON TECHNOLOGIES
A Teledyne Technologies Company

201 COMMERCE DRIVE
PONTIAC, PA 15095

TITLE
J15012-M204-S01M-60

SIZE: **C** 56586
DWG NO: **450005-1POD**
REV: **0**

THIRD ANGLE
PROJECTION

SCALE: 1:1 | DO NOT SCALE DWG | 1 of 1

NEXT ASSY USED ON