

4

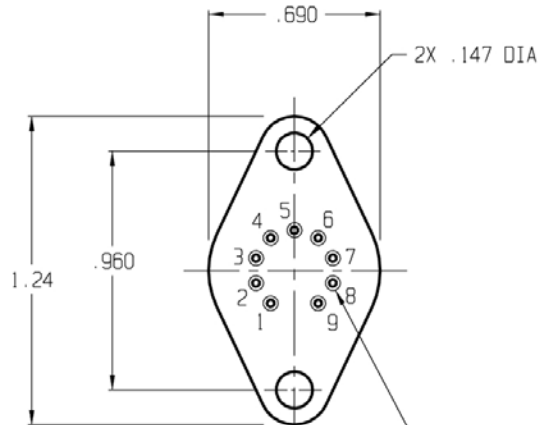
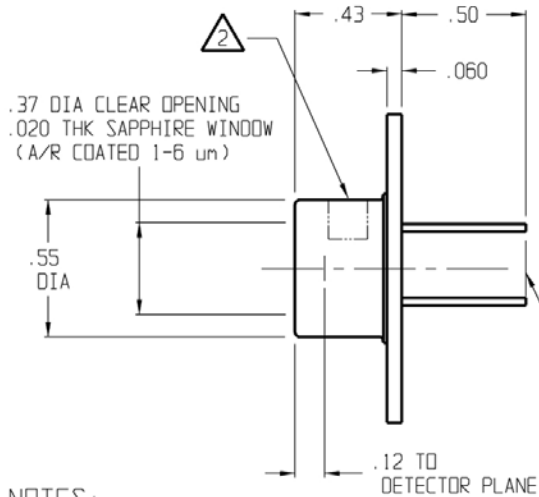
3

2

1

## REVISIONS

REV	DESCRIPTION	DATE	APPROVED
0	INITIAL RELEASE	12/09/97	OG/JAH
1	CHANGES PER DCN 401511	04/09/99	FC/HD
2	CHANGES PER DCN 401538	04/29/99	FC/HD



## PIN CHART

PIN	FUNCTION	COLOR CODE
1	COOLER (+)	RED
2	CASE (GND)	CLEAR
3	DETECTOR (+)	GREEN
4	DETECTOR (-)	WHITE
5	THERMISTOR	YELLOW
6		
7	N/C	CLEAR
8		
9	COOLER (-)	BLACK

## NOTES:

- PIN NUMBERS FOR REF ONLY.
- PRODUCT MARKING.
- MATES WITH P/N 300359 SOCKET, TO-66, 9-PIN.
- WINDOW MATERIAL: SAPPHIRE AR COATED
- PACKAGE SPECIFICATIONS: TO-66  
MATERIAL TYPE: InAs  
ACTIVE AREA SIZE: 2.0 mm DIAMETER  
DETECTOR SPECIFICATIONS AT: -40 °C  
RESPONSE AT 1.3 μm: => .25 A/W  
PEAK RESPONSE: => 1.50 A/W  
DETECTOR SHUNT IMPEDANCE AT 22 °C: => 5 ohms  
DETECTOR SHUNT IMPEDANCE: 300 ohms  
DETECTIVITY (PEAK, 1KHz, 1Hz): 5.0E10  
DETECTOR LINEAR TO (nA): => 1.0

## BOTTOM VIEW

9X .030 DIA PINS ON  
.425 DIA B.C.  
SPACED 36° APART

UNLESS OTHERWISE SPECIFIED: DIMENSIONS ARE IN INCHES:		DRN	K.F.M.	DATE	11/19/97	TELEDYNE JUDSON TECHNOLOGIES <small>A Teknical Technologies Company</small>		221 COMMERCE DRIVE MONTGOMERYVILLE, PA 18936	
<b>TOLERANCES</b>		DESIGN	DRHAN GINGIS	DATE	12-04-97	TITLE <b>J12TE2-66D-R02M</b>			
DECIMALS	ANGULAR	CHECK	J.E.	DATE	12/9/97				
.X ± .02	± 1/2°	PROJECT	N/A	DATE	-----	SIZE	B	DWG NO.	420089P00
.XX ± .01		FIG APPROV	ROBERT O'LEARY	DATE	3/17/98	REV	2		
.XXX ± .005		QA APPROV	J HALL	DATE	3/17/98	SCALE		2:1	DO NOT SCALE DWG
NEXT ASSY		USED ON		THIRD ANGLE PROJECTION		SHEET		1 of 1	

4

3

2

1