

REVISIONS			
REV	DESCRIPTION	DATE	APPROVED
0	INITIAL RELEASE	12/04/97	OG/JAH
1	CHANGES PER DCN 401505	04/01/99	FC/HD

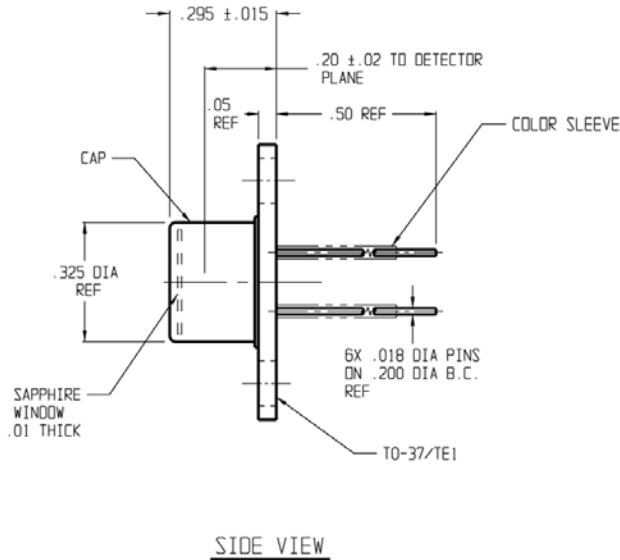
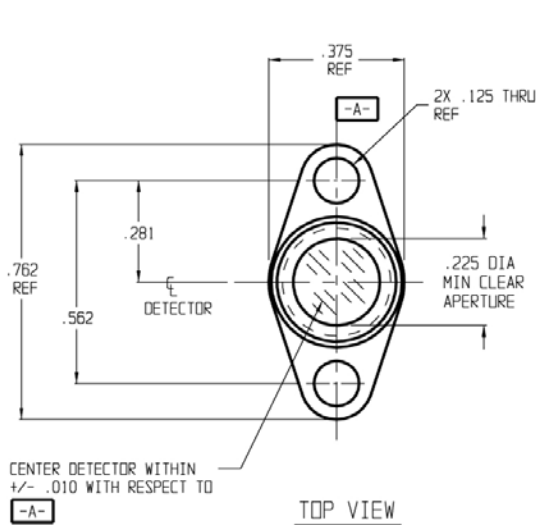


TABLE 1

PIN #	DESIGNATION	SLEEVE COLOR
1	THERMISTOR	YELLOW
2	THERMISTOR	
3	TE COOLER (+)	RED
4	TE COOLER (-)	BLACK
5	DETECTOR ANODE (+)	GREEN
6	DETECTOR CATHODE (-)	WHITE

NOTES:

1. FINISH: ALL EXPOSED METAL SURFACES ARE TO BE GOLD PLATED.
2. SPECIFICATIONS:

MATERIAL TYPE: InAs  
 ACTIVE SIZE: 0.250 mm DIA  
 PACKAGE SPECIFICATIONS: TO-37  
 DETECTOR SPECIFICATIONS: -20 °C  
 PEAK RESPONSE: =>1.5 A/W  
 DETECTOR SHUNT IMPEDANCE (-22 °C): =>200ohms  
 DETECTOR SHUNT IMPEDANCE: =>2000ohms  
 DETECTIVITY (PEAK, 1KHz, 1H): =>1.3E10  
 WINDOW MATERIAL: SAPPHERE

UNLESS OTHERWISE SPECIFIED: DIMENSIONS ARE IN INCHES		DRAWN K.F.M.	DATE 11/13/97	TELEDYNE JUDSON TECHNOLOGIES A Teledyne Technologies Company		221 COMMERCE DRIVE MONTGOMERYVILLE, PA 18936
TOLERANCES		DESIGN DRHAN GINGIS	DATE 12-04-97	TITLE J12TE1-37S-R250U		
DECIMALS	ANGULAR	CHECK J.E.	DATE 12/9/97	SIZE C 56586 420088P00 1		
.XX ± .02	± 1/2°	PROJECT N/A	DATE -----	DWG NO. 420088P00		
.XX ± .01		MFG APPROV ROBERT O'LEARY	DATE 3/16/99	REV 1		
.XXX ± .005		QA APPROV J HALL	DATE 3/17/99	SCALE 4:1		
NEXT ASSY		THIRD ANGLE PROJECTION		DO NOT SCALE DWG		
USED ON				SHEET 1 of 1		