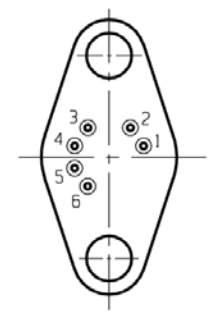
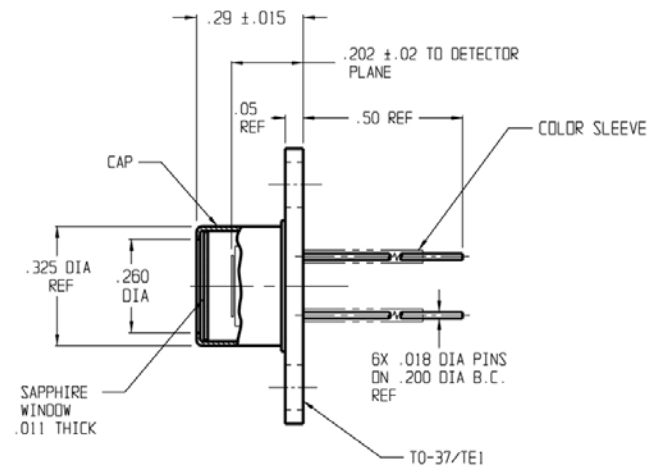
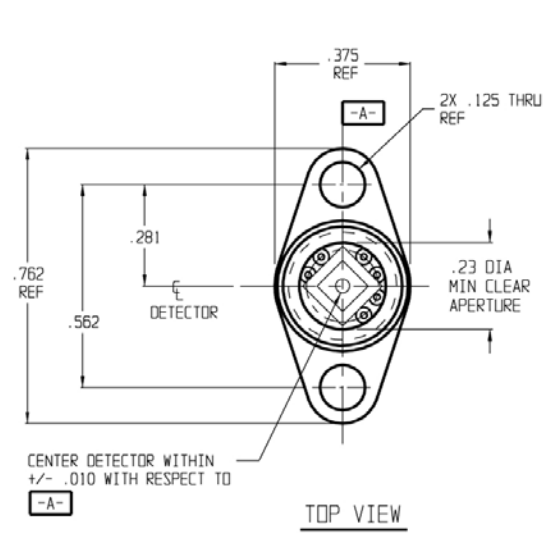


REVISIONS			
REV	DESCRIPTION	DATE	APPROVED
0	INITIAL RELEASE	03/09/99	FC/HD
1	CHANGES PER DCN 401490	03/29/99	FC/HD



TOP CAP CUT-AWAY TO SHOW INTERNAL ASSEMBLY

TABLE 1

PIN #	DESIGNATION	SLEEVE COLOR
1	THERMISTOR	YELLOW
2	THERMISTOR	
3	TE COOLER (+)	RED
4	TE COOLER (-)	BLACK
5	DETECTOR ANODE (+)	GREEN
6	DETECTOR CATHODE (-)	WHITE

NOTES:

1. DETECTOR CENTERED WITHIN +/- .010 WITH RESPECT TO THRU HOLES.
2. FINISH: ALL EXPOSED METAL SURFACES ARE TO BE GOLD PLATED.
3. PACKAGE SPECIFICATIONS: T0-37

MATERIAL TYPE: InAs
 ACTIVE AREA SIZE: 1.0 mm DIA
 DETECTOR TESTED AT (DEGREES CELSIUS): -20 °C
 PEAK RESPONSE: => 1.5 A/W
 DETECTOR SHUNT IMPEDANCE (22 °C): => 10 ohms
 DETECTOR SHUNT IMPEDANCE (-20 °C): => 200 ohms
 DETECTIVITY (PEAK, 1KHz, Hz): => 1.5E10
 WINDOW MATERIAL: SAPPHIRE

UNLESS OTHERWISE SPECIFIED: DIMENSIONS ARE IN INCHES		DRAWN K.F.M.	DATE 03/04/99
TOLERANCES		DESIGN K.F.M.	DATE 3/10/99
DECIMALS	ANGULAR	CHECK FRANK CECI	DATE 3/10/99
.XX ± .02	± 1/2°	PROJECT N/A	DATE -----
.XX ± .01		MFG APPROV WILLIAM ROLLS	DATE 3/10/99
.XXX ± .005		QA APPROV HOAN DUONG	DATE 3/10/99
NEXT ASSY		THIRD ANGLE PROJECTION	

TELEDYNE JUDSON TECHNOLOGIES
 A Teledyne Technologies Company

221 COMMERCE DRIVE
 MONTGOMERYVILLE, PA 18936

TITLE
J12TE1-37S-R01M

SIZE: [56586] DWG NO: 420061POD REV: 1

SCALE: 4:1 DO NOT SCALE DWG SHEET 1 of 1