

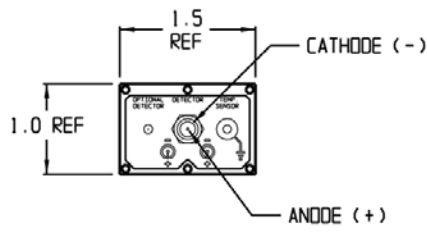
4

3

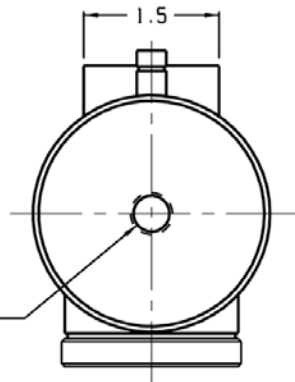
2

1

REVISIONS			
REV	DESCRIPTION	DATE	APPROVED
0	INITIAL RELEASE	07/16/02	WR/DFG

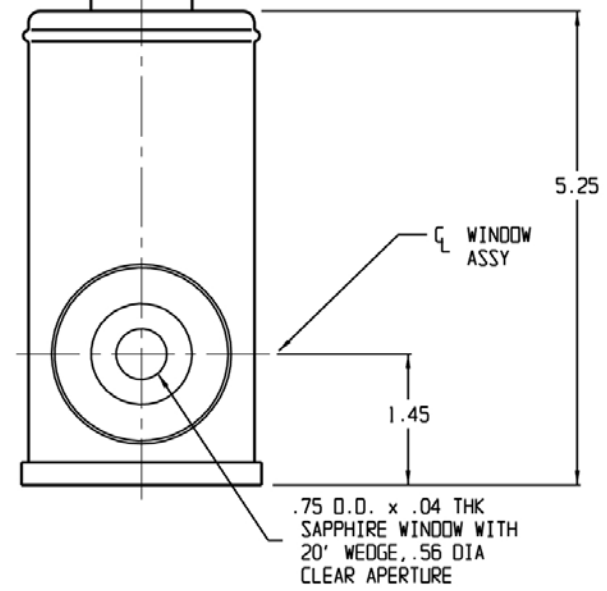
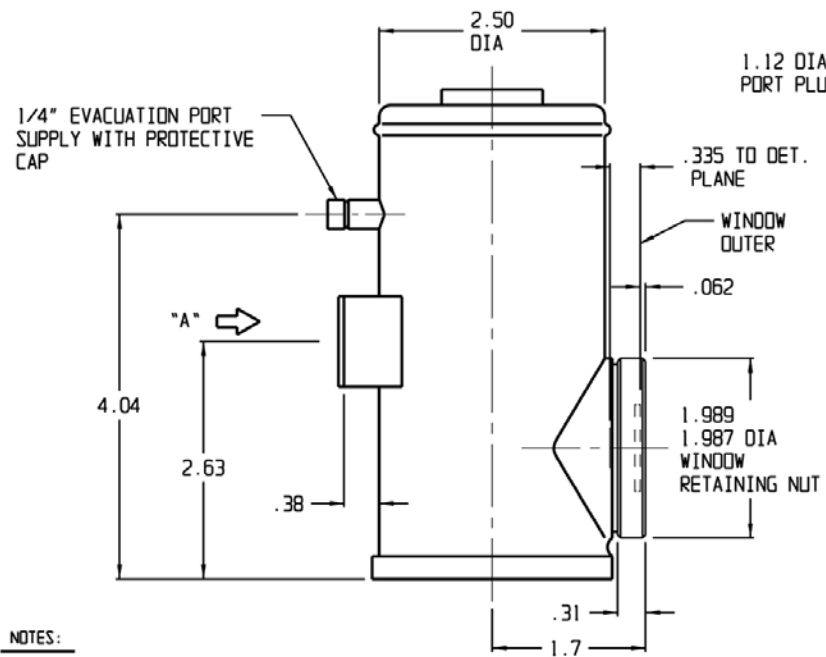


VIEW "A"



1/8" NPT FILL PORT SHOWN WITH FILL PORT PLUG REMOVED

1.12 DIA FILL PORT PLUG



NOTES:

- SPECIFICATION FOR PHOTOVOLTAIC InSb DETECTOR
  - MATERIAL TYPE: InSb
  - ACTIVE AREA SIZE: 7.0 mm Dia
  - DETECTOR SPECIFICATIONS: 77 Kelvin
  - MINIMUM D\* (PEAK, 1KHz, 1Hz): 1.0E11 cmHz<sup>1/2</sup> W-1
  - MINIMUM PEAK RESPONSE: 3.0 A/W
  - MINIMUM SHUNT IMPEDANCE: 10 Kohms
  - MAXIMUM POWER ON DETECTOR: 1 Joule cm<sup>-2</sup>
  - FIELD OF VIEW: 30°
  - WINDOW MATERIAL TYPE: Sapphire Wedged/20°
  - MINIMUM HOLD TIME: 8 Hours
  - MAXIMUM N2 FLOW RATE: 120 nl/min

UNLESS OTHERWISE SPECIFIED: DIMENSIONS ARE IN INCHES TOLERANCES		DRAWN K.F.M.	DATE 07/16/02
DECIMALS .XX ± .02 .XXX ± .01 XXXX ± .005	ANGULAR ± 1/2°	DESIGN K.F. MARSHALL	DATE 7/16/02
		CHECK FRANK CECI	DATE 7/17/2002
		PROJECT N/A	DATE -----
		REG. APPROV. WILLIAM ROLLS	DATE 7/17/02
		QA APPROV. D.F. GREENE	DATE 7/17/02
		THIRD ANGLE PROJECTION	
NEXT ASSY	USED ON		

TELEDYNE JDSO TECHNOLOGIES <small>A Teledyne Technologies Company</small>		201 COMMERCE DRIVE HENRTONRYLLLE, PA 19030	
TITLE <b>J100-M204-R07M-60</b>			
SIZE C	DWG NO. 56586	REV 0	
SCALE: 1:1		DO NOT SCALE DWG	
SHEET		1 of 1	

4

3

2

1