

4

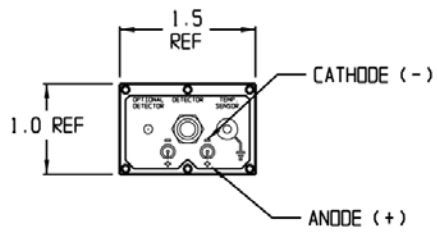
3

2

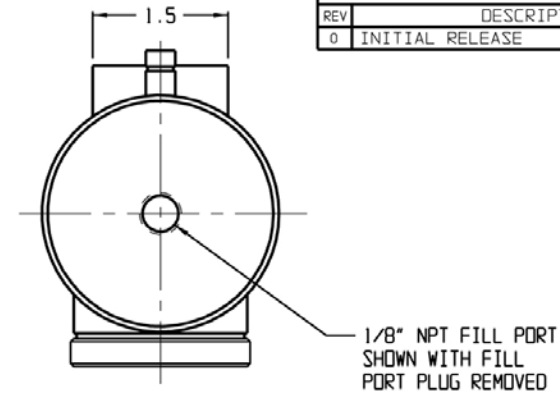
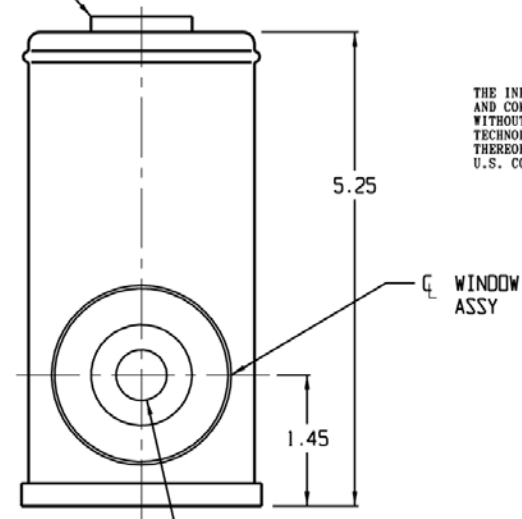
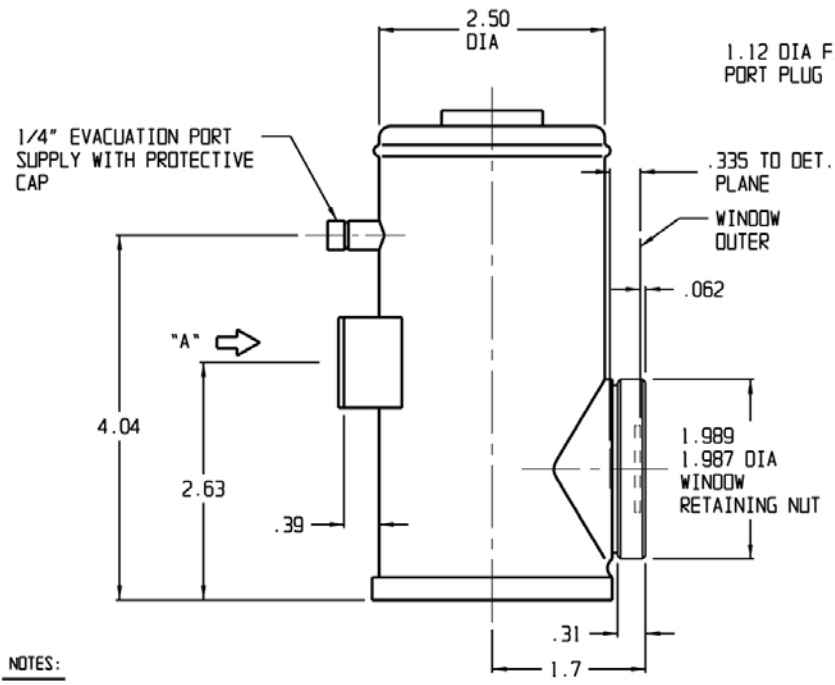
1

REVISIONS

REV	DESCRIPTION	DATE	APPROVED
0	INITIAL RELEASE	11/27/01	OD/DFG



VIEW "A"

1.12 DIA FILL
PORT PLUG

----- ATTENTION -----
THE INFORMATION CONTAINED HEREIN IS PROPRIETARY
AND COMPANY CONFIDENTIAL AND MAY NOT BE DISCLOSED
WITHOUT THE PRIOR SPECIFIC CONSENT OF JUSON
TECHNOLOGIES, L.C. UNAUTHORIZED DISCLOSURE
THEREOF IS PROHIBITED BY TITLE 18, SECTION 1905
U.S. CODE.

NOTES:

1. SPECIFICATION FOR PHOTOVOLTAIC InSb DETECTOR
 MATERIAL TYPE: InSb
 ACTIVE AREA SIZE: 2.0 mm DIA
 DETECTOR SPECIFICATIONS: 77 KELVIN
 MINIMUM D* (PEAK, 1KHz, 1Hz): 1.0E11 cmHz^{1/2} W⁻¹
 MINIMUM PEAK RESPONSE: 3 A/W
 MINIMUM SHUNT IMPEDANCE: 150 Kohms
 MAXIMUM POWER ON DETECTOR: 1 JOULE cm⁻²
 MINIMUM LINEARITY: 1 nA OUTPUT OF CURRENT FROM DETECTOR
 FIELD OF VIEW: 60°
 WINDOW MATERIAL TYPE: SAPPHIRE WEDGED/20°
 MINIMUM HOLD TIME: 8 HOURS
 MAXIMUM N₂ FLOW RATE: 120 ML/MIN

UNLESS OTHERWISE SPECIFIED:
DIMENSIONS ARE IN INCHES
TOLERANCES

DECIMALS	ANGULAR
.XX ± .02	± 1/2°
.XXX ± .01	
.XXXX ± .005	

DATE	BY
11/27/01	K.F.M.
11/27/01	K.F. MARSHALL
11/27/2001	FRANK CECI
11/28/01	DON DOLAN
11/29/01	WILLIAM ROLLS
30NDV01	D.F. GREENE

TELEDYNE JUSON TECHNOLOGIES A Teledyne Technologies Company		221 COMMERCE DRIVE MONTGOMERYVILLE, PA 17056	
TITLE J100-M204-R02M-60			
SIZE C	DWG NO. 56586	REV 0	
SCALE 1:1	DO NOT SCALE DWG		SHEET 1 of 1

NEXT ASSY USED ON

THIRD ANGLE
PROJECTION

4

3

2

1