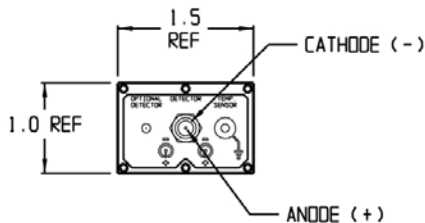
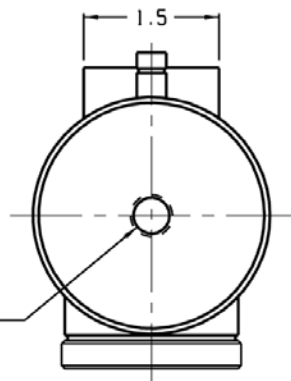


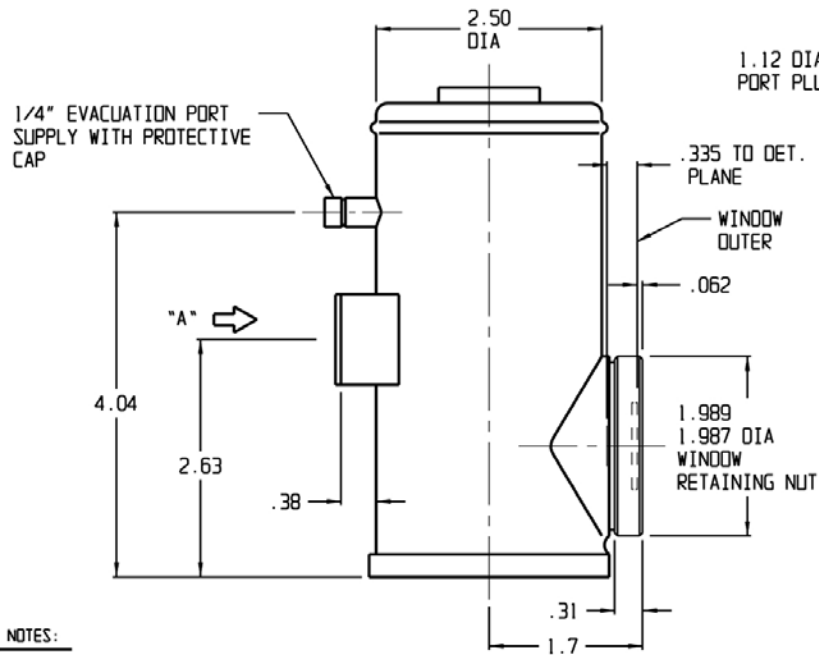
REVISIONS			
REV	DESCRIPTION	DATE	APPROVED
0	INITIAL RELEASE	06/26/02	WR/DFG



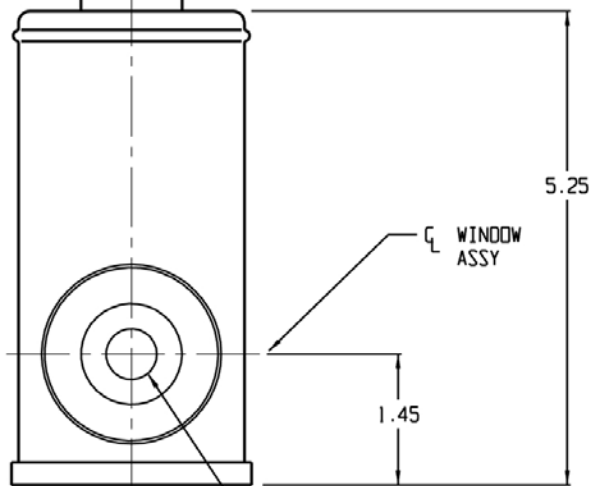
VIEW "A"



1/8" NPT FILL PORT  
SHOWN WITH FILL  
PORT PLUG REMOVED



1.12 DIA FILL  
PORT PLUG



.75 O.D. x .04 THK  
SAPPHIRE WINDOW WITH  
20° WEDGE, .56 DIA  
CLEAR APERTURE

NOTES:

- SPECIFICATION FOR PHOTOVOLTAIC InSb DETECTOR  
 MATERIAL TYPE: InSb  
 ACTIVE AREA SIZE: 0.250 mm Dia  
 DETECTOR SPECIFICATIONS: 77 Kelvin  
 MINIMUM D\* (PEAK, 1KHz, 1Hz): 1.0E11 cmHz<sup>1/2</sup> W-1  
 MINIMUM PEAK RESPONSE: 3.0 A/W  
 MINIMUM SHUNT IMPEDANCE: 10 Mohms  
 MAXIMUM POWER ON DETECTOR: 1 Joule cm<sup>-2</sup>  
 FIELD OF VIEW: 60°  
 WINDOW MATERIAL TYPE: SAPPHIRE Wedged/20°  
 MINIMUM HOLD TIME: 8 Hours  
 MAXIMUM N2 FLOW RATE: 120 nl/min

UNLESS OTHERWISE SPECIFIED:  
DIMENSIONS ARE IN INCHES  
TOLERANCES

DECIMALS	ANGULAR
.XX ± .02	± 1/2°
.XXX ± .01	
.XXXX ± .005	

DRAWN	K.F.M.	DATE	06/26/02
DESIGN	K.F. MARSHALL	DATE	6/26/02
CHECK	FRANK CECI	DATE	6/26/2002
PROJECT	N/A	DATE	-----
REG. APPROV.	WILLIAM ROLLS	DATE	6/26/02
QA APPROV.	D.F. GREENE	DATE	7/10/02
THIRD ANGLE PROJECTION			

TELEDYNE JUDSON TECHNOLOGIES  
A Teledyne Technologies Company  
221 COMMERCE DRIVE  
HENTZBERGVILLE, PA 19930

TITLE  
**J100-M204-R250U-60**

SIZE: **C** DWG NO: **400007-2P00** REV: **0**

SCALE: 1:1 **DO NOT SCALE DWG** SHEET 1 of 1

A

A