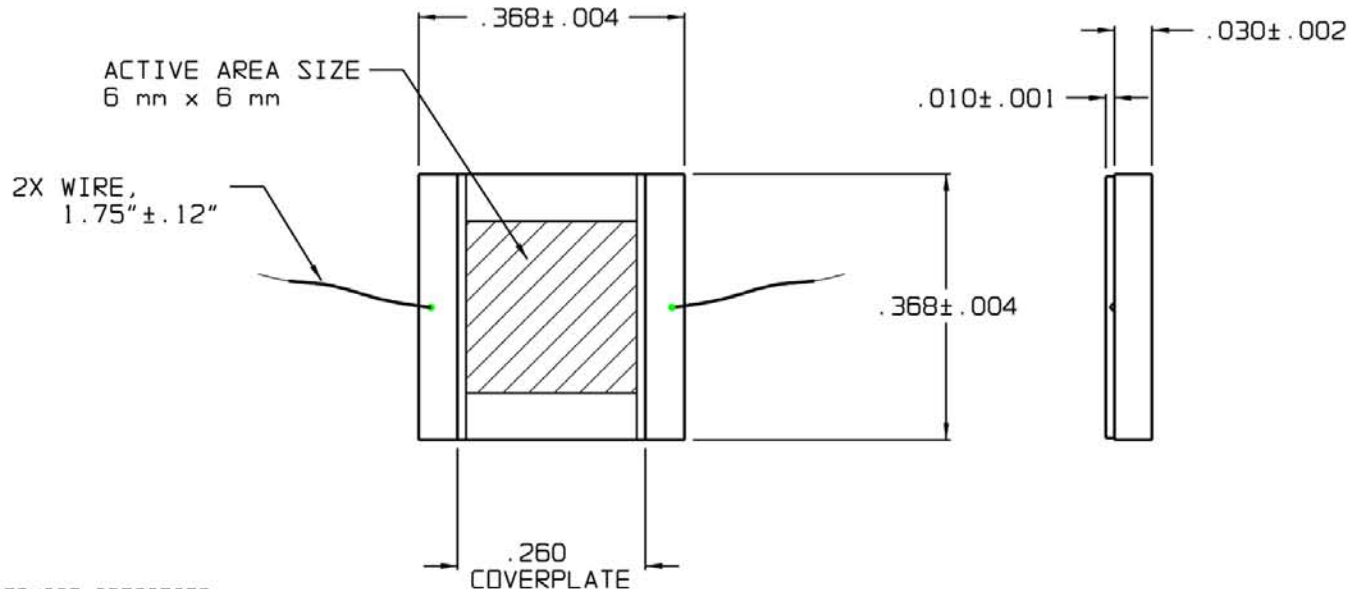


PROPRIETARY NOTICE:

THIS DOCUMENT AND THE DATA DISCLOSED HEREIN OR HEREWITH IS NOT TO BE REPRODUCED, USED, OR DISCLOSED IN WHOLE OR IN PART TO ANYONE WITHOUT THE PERMISSION OF JUDSON TECHNOLOGIES LLC.

REVISIONS			
REV	DESCRIPTION	DATE	APPROVED
0	INITIAL RELEASE	09/04/02	WR/DFG



NOTES: UNLESS OTHERWISE SPECIFIED

1. INTERPRET DIMENSIONING & TOLERANCING IAW ANSI Y14.5M - 1982.

2. SPECIFICATIONS:

DETECTOR MATERIAL TYPE: PbS3
 DETECTOR ACTIVE AREA SIZE: 6.0 nm x 6.0 nm
 DETECTOR SPECIFICATIONS AT: 25° C (Room Temp.)
 BIAS LOAD RESISTOR: 1 Mohm
 BIAS VOLTAGE: 200 VDC
 DETECTOR SPECIFICATIONS AT: 25° C
 MINIMUM D* (PEAK, 750Hz, 1Hz): 7.7E10 cmHz^{1/2} W-1
 MINIMUM RESPONSIVITY (PEAK, 750Hz): 50,000 V/W
 SPECTRAL RESPONSE:
 WAVELENGTH PEAK: 1 - 3 um
 2.5 um
 DARK RESISTANCE: 0.5 - 1.5 Mohm
 TIME CONSTANT: 150 - 350 us

UNLESS OTHERWISE SPECIFIED:
DIMENSIONS ARE IN INCHES

TOLERANCES

DECIMALS	ANGULAR
X .02	± 1/2°
XX .01	
XXX .005	

DRAWN	K.F.M.	DATE	09/03/02
DESIGN	K.F.MARSHALL	DATE	9/5/02
CHECK	FRANK CECI	DATE	9/5/2002
PROJECT	N/A	DATE	-----
MFG. APPROVAL	WILLIAM ROLLS	DATE	9/5/02
QA APPROVAL	D.F.GREENE	DATE	5SEPT02
THIRD ANGLE PROJECTION			
NEXT ASSY	USED ON		

TELEDYNE
JUDSON TECHNOLOGIES
A Teledyne Technologies Company

221 COMMERCE DRIVE
MONTGOMERYVILLE, PA 17096

TITLE			PS3-0-06, W/LEADS		
SIZE	DWG NO.	REV			
C	56586	1100160P00	0		
SCALE	B:1		DO NOT SCALE DWG	SHEET	1 of 1